

WMC Weigh Modules



WMC Weigh Modules

Highest precision

Smallest dimensions

Fastest weighing



Small in Size

High in Performance

METTLER TOLEDO

Make an Intelligent Move with the Innovative WMC Weigh Module

The innovative WMC weigh module is the perfect combination of compactness and high accuracy. It exceeds the performance for such modules and enables new applications. Thus, METTLER TOLEDO is introducing a new character into the field of weighing technology.



An innovation clearly differentiates from known solutions, e.g. a novel combination of function and design. An innovation often triggers a chain of new developments. Existing solutions are miniaturized or even result in previously unimaginable solutions. The WMC weigh

module is innovative because it combines high accuracy with minimum construction space.

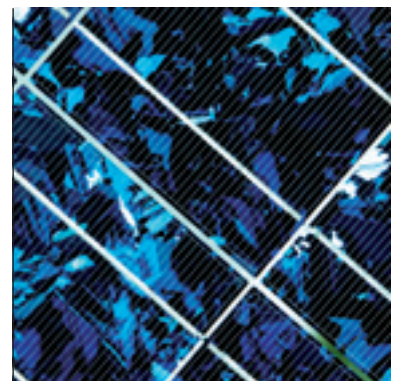
Thus METTLER TOLEDO provides the prerequisites for completely new applications in instruments and machinery.



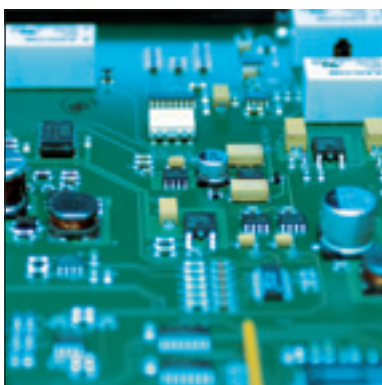
The compact WMC weigh module is ideal for precise and fast, automated filling of vials, ampoules and syringes.



The very short settling time allows for high throughput rates for testing of capsules and tablets.



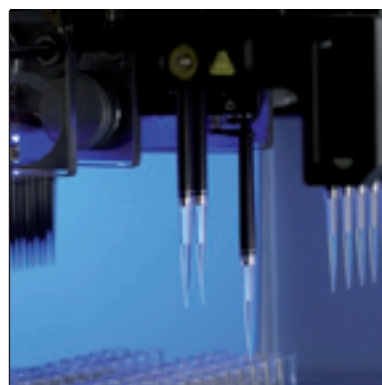
At coating or etching processes the difference in material can be precisely determined due to the high absolute accuracy



The completeness of components, density of tool shaped parts or the material quantities of encapsulations can be tested reliably within a minimum of construction space.



The fast data transfer of up to 92 filtered weight values per second via RS232 or fieldbus communication to the controller allows for precise dosing of powders and liquids.



The compact WMC weigh module easily finds space in the laboratory machines. This allows for precise filling of tubes or on board calibration of pipettes and metering pumps.

Designed for Automation

Fast, Rugged, and Reliable

The high-precision WMC weigh module is ultra compact and rugged by design. As such, it is suitable for semi- and fully-automatic processes, as well as for manual weighing, wherever space is at a premium.



The small size enables to build arrays with a minimal pitch. This facilitates to place numerous weigh modules on a small space to form a compact array for parallel multi line filling or check weighing. It speeds up the entire process if multiples of vials, ampoules, syringes, tablets or capsules are weighed in parallel on such an array within fractions of a second. With this allocation of weigh modules it is even possible to accu-

rately weigh several tens of thousands of samples in an hour.

Flexible and service friendly

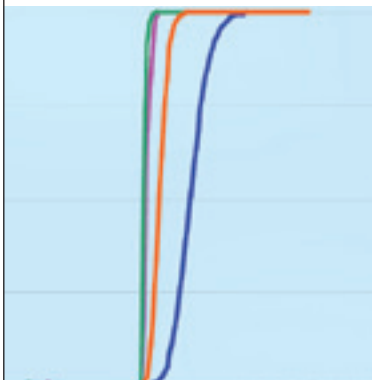
The number of weigh modules in an array has no limits. It can range from two to dozens of modules. The fact that such an array consists of independent modules it makes it easy to replace one when a repair or service is required.

Extremely small and compact



The ultra compact WMC weigh module is ideal to integrate into instruments and machines. Its very small width of 25 mm helps to keep overall dimensions of test and filling devices smaller than ever.

Configurable firmware



With their extensive parameter sets, WMC weigh modules can be configured so that they are optimized for virtually any application and environment. A computer based software for parameterization, diagnostics, and data backup makes getting started easy.

Very fast weighing

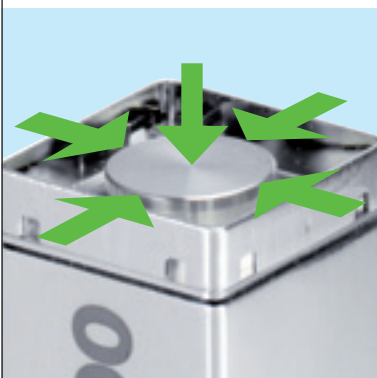


The low mass of the force restoration device of the WMC weigh module protects against vibration. Thus enables very fast and accurate weighing with 92 filtered weight values sent via RS232 or Fieldbus to the control system.



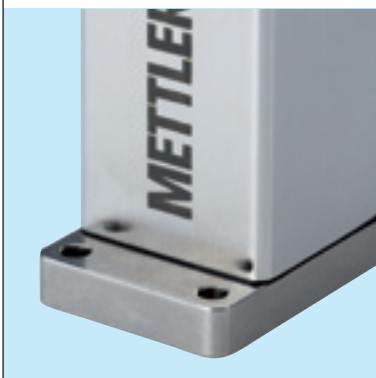
Courtesy Asyrit

Overload protection



The weighing cell benefits from mechanical protection against vertical overload and lateral forces. This protects the weigh module in the event of malfunction of handling devices or mistakes during installation.

Rugged industrial design



The polished housing in 316L (1.4404) stainless steel as well as all seals are FDA compliant. The weigh module features flanges with holes so that it can be attached appropriately inside the machine or instrument.

Quick to clean



Efficient cleaning is ensured when formats and products are changed. It is easy to remove the weighing pan and to close the opening with the sealing cover supplied. After sealing the weigh module is ready for rinsing with a cleaning fluid.

Versatile Use

Easy to Integrate

WMC Models	Readability	Weighing Range	Repeatability at 5 g	Repeatability at Full Range	Order Number
WMC25-SH	0.01 mg	21 g	0.012 mg	0.02 mg	11149000
WMC15-SH	0.01 mg	11 g	0.012 mg	0.02 mg	11149009
WMC24-SH	0.1 mg	21 g	0.08 mg	0.1 mg	11149002



Terminal with touchscreen keypad

The optional terminal with monochrome display can serve as an operator interface for semi-automatic applications.

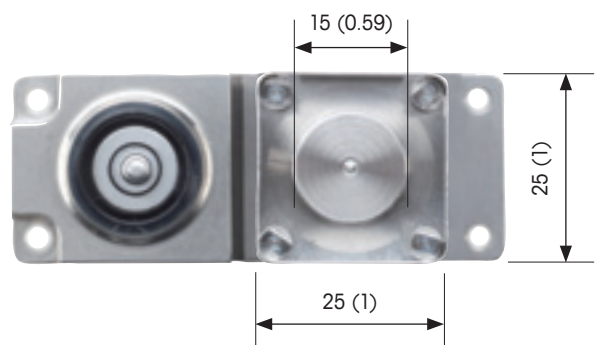
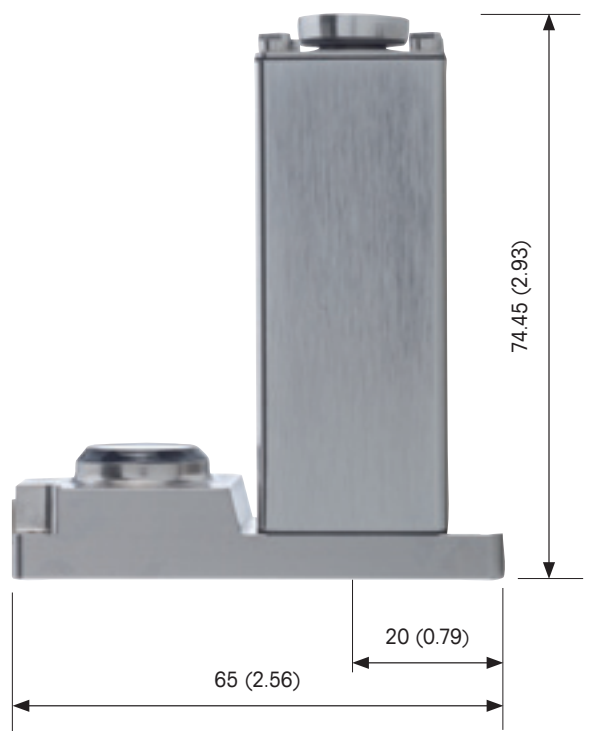
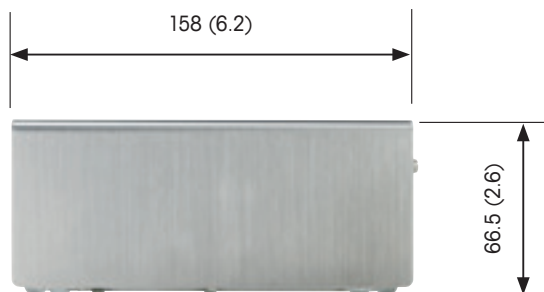


Flexible layout and assembly

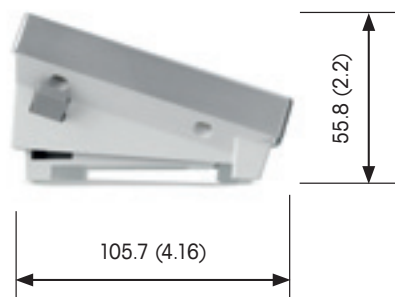
The electronic unit can be installed separately from the weighing cell. The devices can be located up to 3m apart. A set for optional DIN rail mounting is supplied with the module.

	Order Number
SWT Terminal: Touchscreen, monochrome display	11 121 057
Interface Options and Accessories	
RS232C (second RS232C-interface)	11132500
PS/2: Connect commercial keyboards and barcode readers ¹⁾	11132520
BT (Bluetooth): For wireless control of up to 7 peripheral devices ¹⁾	11132530
BT (Bluetooth): Wireless connection to a BT-P42 printer, a second BT-BLD display or PC ¹⁾	11132535
Ethernet TCP/IP: For connecting to an Ethernet network	11132515
USB – RS232C-Converter	11103691
¹⁾ Only with terminal	
External Communication Modules	
Profibus® DP	42102809
Profinet IO	42120859
EtherNet/IP™	42102860
DeviceNet™	42102810
Mechanical Accessories	
Terminal holder for SWT terminal, including mounting screws.	11121255

Dimensions WMC mm (inch)



Optional SWT Terminal mm (inch)



Flexible Communication

Modular and Compatible

It's easy to set up communication between WMC weigh modules and Industrial computers or PLC systems. Thanks to program function blocks and engineering notes it takes very little time and effort to set up communication via standardized interfaces.



Fieldbus Module to communicate with weigh module

Automatic parameter detection and an integrated command set for the weigh module make it easy to put the METTLER TOLEDO Fieldbus Modules for Profibus® DP, DeviceNet™, Ethernet/IP™, or Profinet® IO into operation. DIN rail assembly enables efficient installation.

Modular hardware concept for Interfaces

Various interface options (plug-in module) are available for the connection to Ethernet TCP/IP, PS2, Bluetooth converter or an additional RS232. The RS232 standard interface remains freely available at all times for service and configuration work.



www.mt.com/wmc

For more information

Mettler-Toledo AG

Industrial
CH-8606 Greifensee, Switzerland
Phone +41 44 944 22 11
Fax +41 44 944 30 60

© 08/2011 Mettler-Toledo AG
Printed in Switzerland
MTSI 44098199